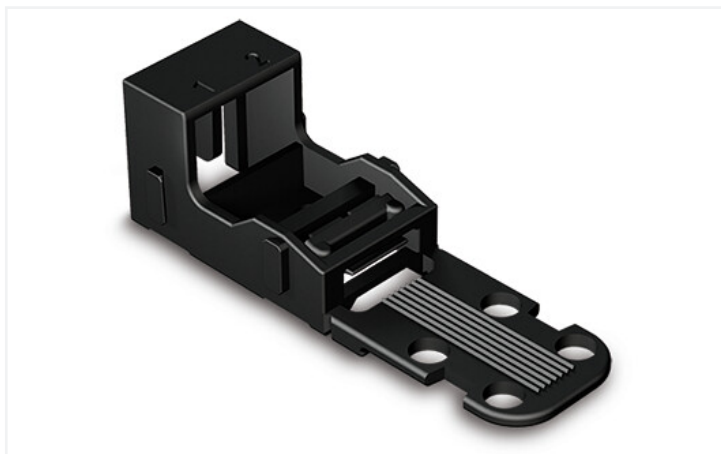


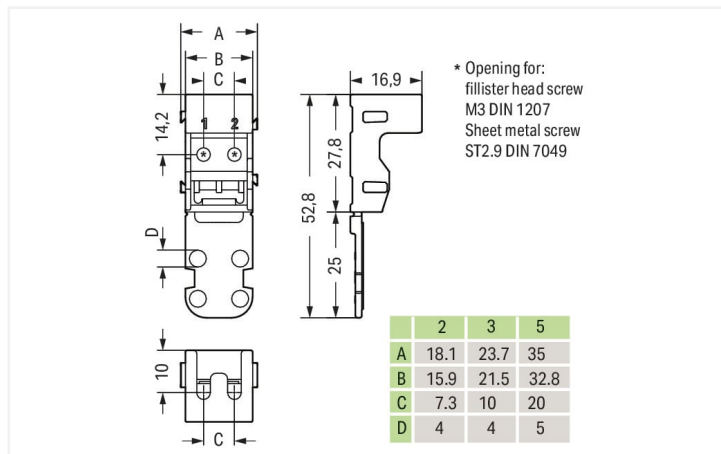
# Data Sheet | Item Number: 221-502/000-004

Mounting carrier; for 2-conductor terminal blocks; 221 Series - 4 mm<sup>2</sup>; for screw mounting; black

<https://www.wago.com/221-502/000-004>



Color: ■ black



Dimensions in mm

## Physical data

Width	18.1 mm / 0.713 inches
Height from the surface	16.9 mm / 0.665 inches
Depth	52.8 mm / 2.079 inches

## Mechanical data

Mounting type	Screw mount
Suitable	for 2-wire connectors (4 mm <sup>2</sup> )

## Material data

Note (material data)	<a href="#">Information on material specifications can be found here</a>
Color	black
Material group	I
Insulation material (main housing)	Polyamide (PA66)
Flammability class per UL94	V0
Fire load	0.082 MJ
Weight	2.7 g

## Commercial data

eCl@ss 10.0	27-14-11-92
eCl@ss 9.0	27-14-11-92
ETIM 9.0	EC002848
ETIM 8.0	EC002848
PU (SPU)	50 (10) pcs
Packaging type	Box
Country of origin	CN
GTIN	4055143595865
Customs tariff number	39269097900

**Environmental Product Compliance**

RoHS Compliance Status	Compliant, No Exemption
------------------------	-------------------------

**Downloads**

**Environmental Product Compliance**

<b>Compliance Search</b>	
Environmental Product Compliance 221-502/000-004	↓

**Documentation**

<b>Bid Text</b>			
221-502/000-004	19.02.2019	xml 2.71 KB	↓
221-502/000-004	04.01.2018	doc 24.00 KB	↓

**CAD/CAE-Data**

<b>CAD data</b>	
2D/3D Models 221-502/000-004	↓

<b>CAE data</b>	
ZUKEN Portal 221-502/000-004	↓

**1 Compatible Products**

**1.1 Optional Accessories**

**1.1.1 Marking**

**1.1.1.1 Marking strip**



**Item No.: 210-833**  
 Marking strips; 25 m on roll; 6 mm wide; plain; Self-adhesive; white

**Installation Notes**



Inserting a connector into the mounting carrier.



Removing a connector from the mounting carrier.

### Conductor termination



Inserting a conductor.



Horizontal screw mounting



Vertical screw mounting



Horizontal mounting via snap-in foot



Vertical mounting via snap-in foot

### Strain relief

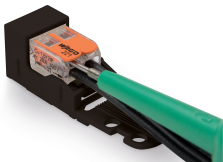


Use a cable tie to secure the conductors to the strain relief plate.



The strain relief plate can be removed.

### Testing



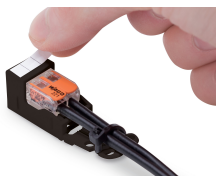
Testing a connector mounted on the carrier via test slot.

### Application



Connecting a light to the mains.

Marking



Labeling the mounting carrier.