



PL004001 (NC)



PL004002 (NO)

PL004001 PL004002

CONTACT BLOCKS WITH SCREW TERMINALS

Contact type	PL004001	NC	normally closed
	PL004002	NO	normally open
Operating force	4 N		
Connections	terminal type	M3.5 screw	
	tightening torque	EN60947-1 UL508	1.2 N·m 12 lb·in
Connectable section	flexible conductors	1 or 2	1 ... 2.5 mm ²
	solid conductors	1 or 2	1 ... 2.5 mm ²
	wire peeling length	8 mm	
Contacts	slow action, double breaking		
Electrical lifetime	AC-15	1 A	1.5 million cycles
		2 A	0.5 million cycles
		3 A	0.25 million cycles
		Marking	

EN 60947-5-1 characteristics

Rated insulation voltage	Ui	690 V *
Rated impulse withstand voltage	Uimp	4 kV *
Rated thermal current	Ith	16 A *
Rated enclosed thermal current	Ithe	10 A
Frequency	50/60 Hz	

Rated operating current (Ie)

AC-15	4 A	400 V	DC-13	0.25 A	220 V
-------	-----	-------	-------	--------	-------

Minimum constant current	1 mA @ 5 Vdc
	1 mA @ 24 Vdc

Short circuit characteristics

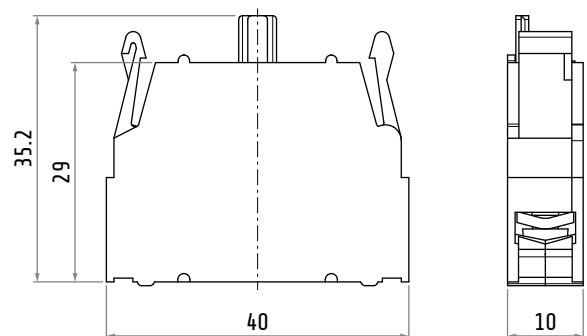
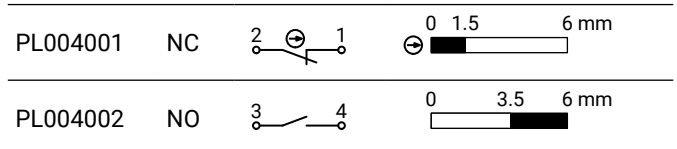
Conditional rated short circuit withstand current	1000 A *	
Fuse rating (type gG)	500 V	10 A *
Contact insulation resistance	≤ 25 mΩ	

UL 508 characteristics

Rated insulation voltage	Ui	10 A	600 V AC
		2.5 A	125 V DC
Rated impulse withstand voltage	Uimp	A600	Q600

* IMQ approved values

Diagrams



Dimensions in mm / illustrations NOT in scale